

Thermostats



Comfort



Energy savings



Ecological



Flexibility



Heating and cooling



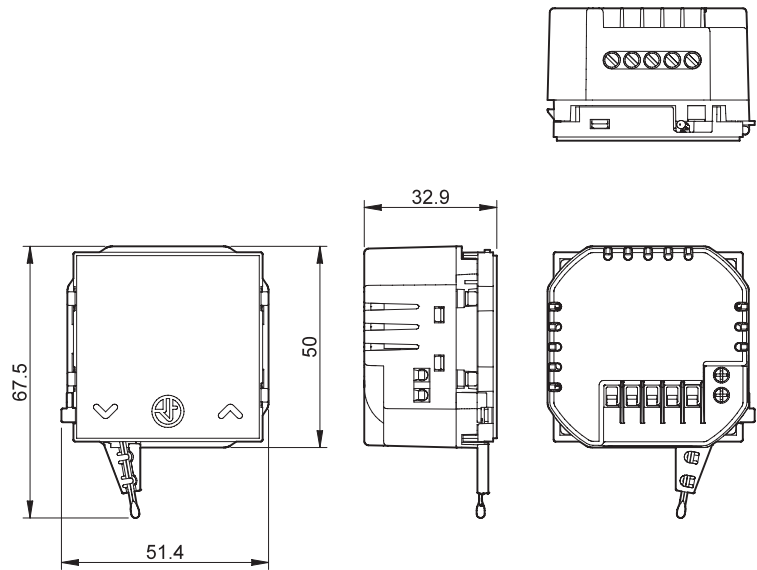
Building automation



Thermostats for recessed wall box mounting

- Thermostat and front plate system with a sleek, coordinated look
- Recessed mounting for 2 or 3 module wall boxes, or 65 mm round wall box
- Simple and versatile
- 110...230 V AC
- LED matrix display
- Summer/Winter switch
- Display lock with PIN code
- Display with adjustable brightness control
- Day/Night setting

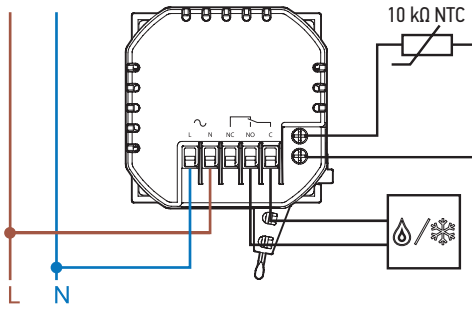
NEW 1T.T1



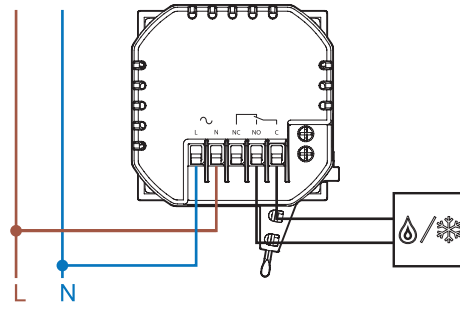
Colour	Thermostat
White	1T.T1.8.230.0000
Technical features	
Sensing element	NTC
Supply	230 V
Contact configuration	1 CO (SPDT)
Contact rating	5 A/250 V AC
Display range	0...+50 °C
Temperature setting range	0...+38 °C
Temperature differential	default 0.2 °C
Temperature rate of change	—
Nighttime set-back	default 3 °C
Independently set temperature levels	YES
Thermostat lock	YES
Protection category	IP 20
Mounting	(Recess)
Display resolution	0.1 °C
Accuracy at +20 °C	+/-1 °C
Frost Protection	default +5 °C
Energy saving function	—
Push buttons	Touch keys
Back-light display	YES
Approvals (according to type)	CE

Wiring diagrams

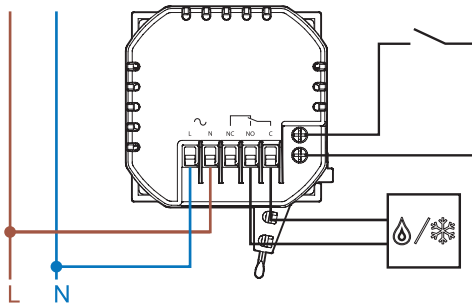
External NTC sensor



Standard wiring diagram



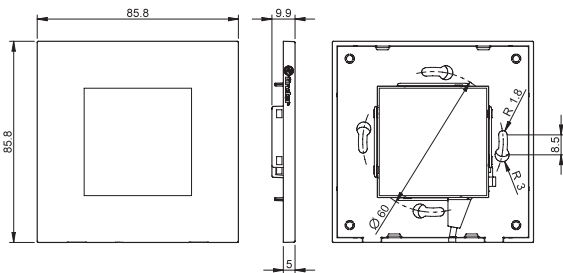
External dry contact for night mode



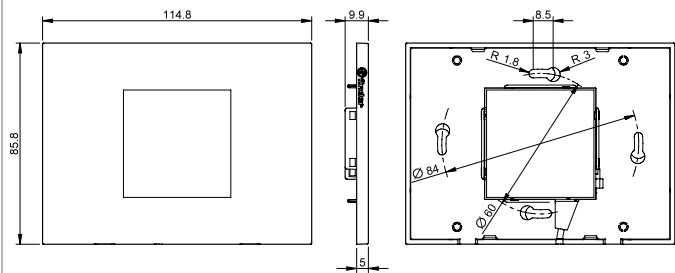
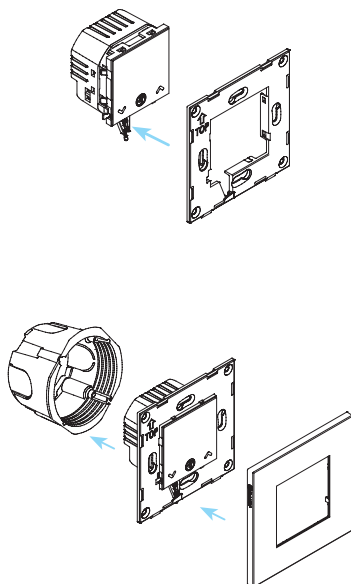
External terminals: NTC sensor and dry contact

- If the **external terminals are not used** the thermostat will refer to its internal temperature sensor.
- If there is an external **10 kΩ NTC sensor**, the thermostat will take that as the reference for the temperature.
- If there is a **dry contact** closed on the terminals, it will set the thermostat to night mode, changing the temperature according to the internal menu settings (default ± 3 °C).

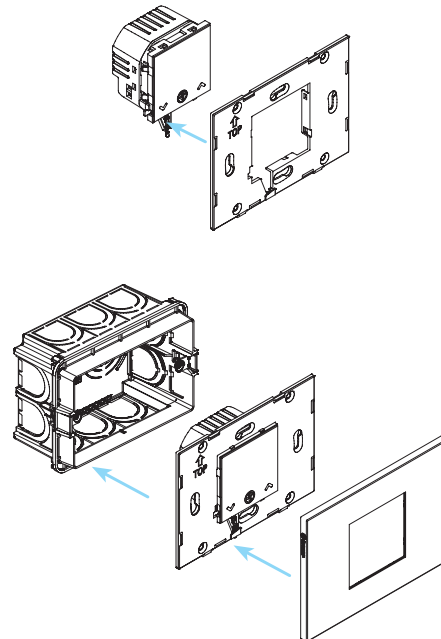
Mounting



Mounting in 2 module or 65 mm round wall boxes



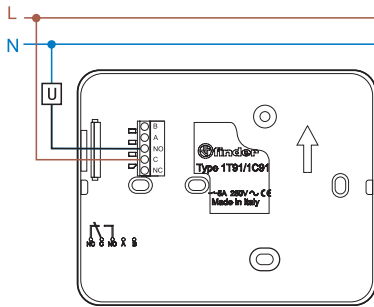
Mounting in 3 module wall boxes



The thermostat, front plates, and the frames for 2 or 3 module and 65 mm round wall boxes are included in the pack.

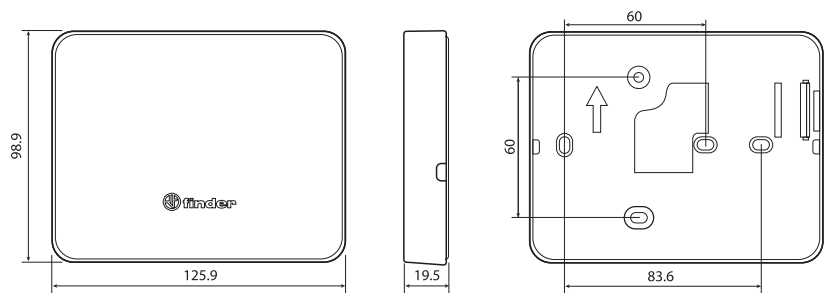
Thermostat

- Touch display with guided programming
- Stunning design
- Backlit touch keys
- Power supply: 2 1.5 V AA batteries
- 2 selectable temperatures (day/night)
- Summer/Winter switch
- PIN lock padlock function
- Temperature setting range 5-37°C
- Contact rating 5 A 250 V AC



Wiring diagram

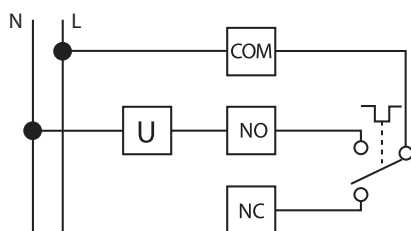
1T.91 BLISS_T



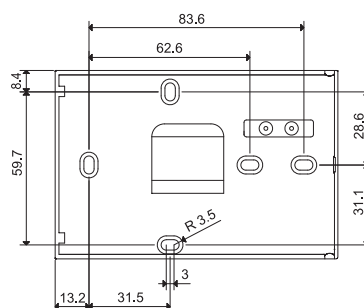
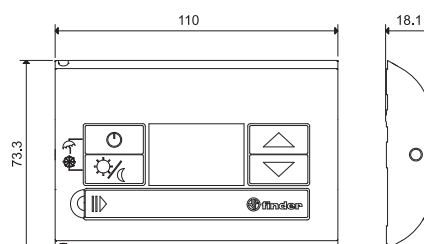
Colour	Thermostat
White	1T.91.9.003.0000
Technical features	
Sensing element	NTC
Supply	2 batteries 1.5 V AA
Contact configuration	1 CO (SPDT)
Contact rating	5 A/250 V AC
Display range	0...+50 °C
Temperature setting range	+5...+37 °C
Temperature differential	0.2 °C self regulation
Temperature rate of change	—
Nighttime set-back	YES
Independently set temperature levels	2 (day/night)
Thermostat lock	3 digit PIN
Protection category	IP 20
Mounting	Wall
Display resolution	0.1 °C
Accuracy at +20 °C	+/-0.5 °C
Frost Protection	+5 °C
Energy saving function	—
Push buttons	Backlit touch keys
Back-light display	YES
Approvals (according to type)	CE UK EAC

Digital room thermostat

- Independently set temperatures for Day and Night
- Temperature range (+5...+37)°C
- Supply voltage: 3 V DC (2 batteries 1.5 V DC AAA)
- Thermostat lock
- Functions: OFF (with Frost protection)/ Summer/Winter
- Frost protection range (+2...+8)°C
- 1 changeover 5 A/250 V AC output
- On/Off hysteresis selectable (0.2 - 0.5)°C



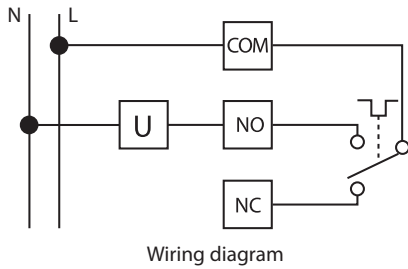
Wiring diagram

1T.31

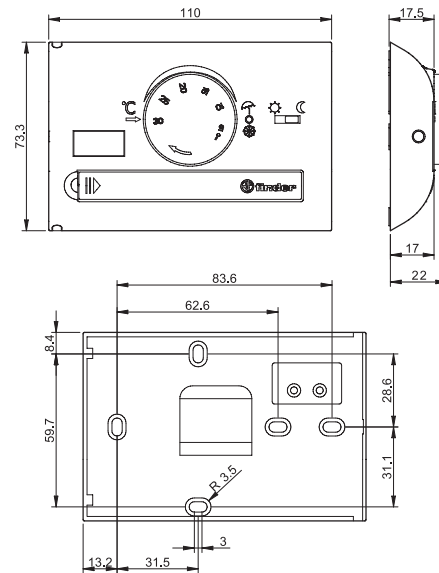
Colour	
White	1T.31.9.003.0000
Black	1T.31.9.003.2000
Technical features	
Sensing element	NTC
Supply	2 batteries 1.5 V AAA
Contact configuration	1 CO (SPDT)
Contact rating	5 A/250 V AC
Display range	0...+50 °C
Temperature setting range	+5...+37 °C
Temperature differential	0.2 - 0.5 °C
Temperature rate of change	—
Nighttime set-back	YES
Independently set temperature levels	2 (day/night)
Thermostat lock	Push buttons
Protection category	IP 20
Mounting	Surface
Display resolution	0.1 °C
Accuracy at +20 °C	+/-0.5 °C
Frost Protection	+2...+8 °C
Energy saving function	—
Push buttons	Mechanical
Back-light display	NO
Approvals (according to type)	CE UK EAC

Digital room thermostat

- Temperature regulation from 5 to 33 °C
- Supply voltage: 3 V DC
(2 batteries 1.5 V DC AAA)
- Functions: OFF (with Frost protection)/
Summer/Winter
- Programming: Day/Night (set-back by -3 °C)
- 1 changeover 5 A/250 V AC output
- Temperature setting range can be restricted, by
internal mechanical blocking
- Display with:
 - Set temperature, actual temperature
 - Low battery
 - SUMMER/WINTER setting active
 - Heater/Air-conditioning ON



1T.41



Colour

White	1T.41.9.003.0000
Black	1T.41.9.003.2000

Technical features

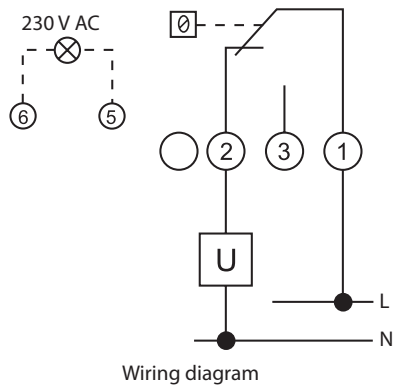
Sensing element	NTC
Supply	2 batteries 1.5 V AAA
Contact configuration	1 CO (SPDT)
Contact rating	5 A/250 V AC
Display range	0...+50 °C
Temperature setting range	+8...+30 °C (night set-back: Winter +5...+27 °C/ Summer +11...+33 °C)
Temperature differential	0.3 °C
Temperature rate of change	—
Nighttime set-back	YES (0.3 °C)
Independently set temperature levels	—
Thermostat lock	Mechanical
Protection category	IP 20
Mounting	Surface
Display resolution	0.1 °C
Accuracy at +20 °C	+/-0.5 °C
Frost Protection	5 °C
Energy saving function	—
Push buttons	Mechanical
Back-light display	NO

Approvals (according to type)

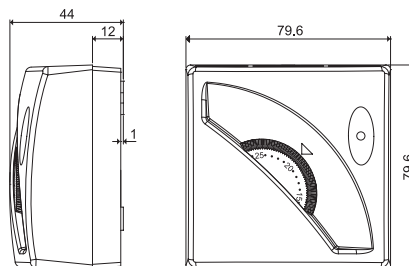


Room thermostat

- Temperature regulation (+7...+30)°C
- System operating - indicator light



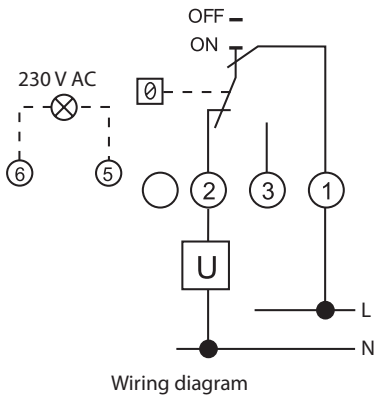
1T.01.0



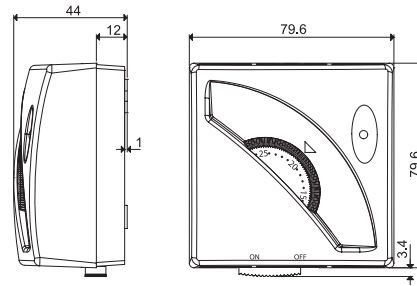
Colour	White	1T.01.0
Technical features		
Sensing element		Gas bulb
Supply		—
Contact configuration		1 CO (SPDT)
Contact rating		16 A/250 V AC
Display range		—
Temperature setting range		+7...+30 °C
Temperature differential		0.4 - 0.8 °C
Temperature rate of change		1 °C/15 min
Nighttime set-back		—
Independently set temperature levels		—
Thermostat lock		Mechanical
Protection category		IP 20
Mounting		Surface
Display resolution		—
Accuracy at +20 °C		—
Frost Protection		—
Energy saving function		—
Push buttons		—
Back-light display		NO
Approvals (according to type)		CE UK EAC

Room thermostat with ON/OFF switch

- ON/OFF switch
- Temperature regulation (+7...+30)°C
- System operating - indicator light



1T.01.1



Colour

White

1T.01.1

Technical features

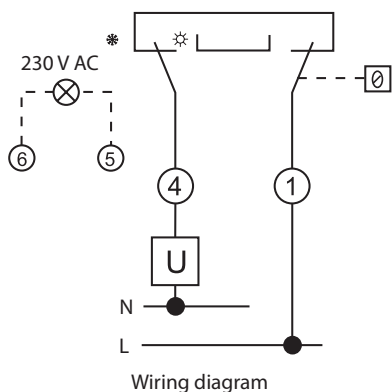
Sensing element	Gas bulb
Supply	—
Contact configuration	1 CO (SPDT)
Contact rating	16 A/250 V AC
Display range	—
Temperature setting range	+7...+30 °C
Temperature differential	0.4 - 0.8 °C
Temperature rate of change	1 °C/15 min
Nighttime set-back	—
Independently set temperature levels	—
Thermostat lock	Mechanical
Protection category	IP 20
Mounting	Surface
Display resolution	—
Accuracy at +20 °C	—
Frost Protection	—
Energy saving function	—
Push buttons	—
Back-light display	NO

Approvals (according to type)

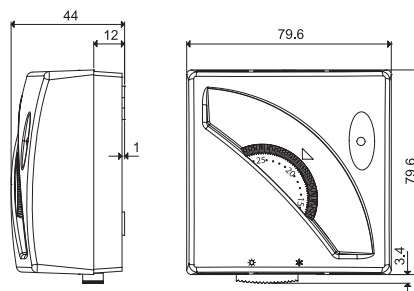


Room thermostat with SUMMER/WINTER switch

- SUMMER/WINTER switch
- Temperature regulation (+7...+30)°C
- System operating - indicator light



1T.01.2



Colour	White	1T.01.2
Technical features		
Sensing element	Gas bulb	
Supply	—	
Contact configuration	1 CO (SPDT)	
Contact rating	16 A/250 V AC	
Display range	—	
Temperature setting range	+7...+30 °C	
Temperature differential	0.4 - 0.8 °C	
Temperature rate of change	1 °C/15 min	
Nighttime set-back	—	
Independently set temperature levels	—	
Thermostat lock	Mechanical	
Protection category	IP 20	
Mounting	Surface	
Display resolution	—	
Accuracy at +20 °C	—	
Frost Protection	—	
Energy saving function	—	
Push buttons	—	
Back-light display	NO	
Approvals (according to type)		